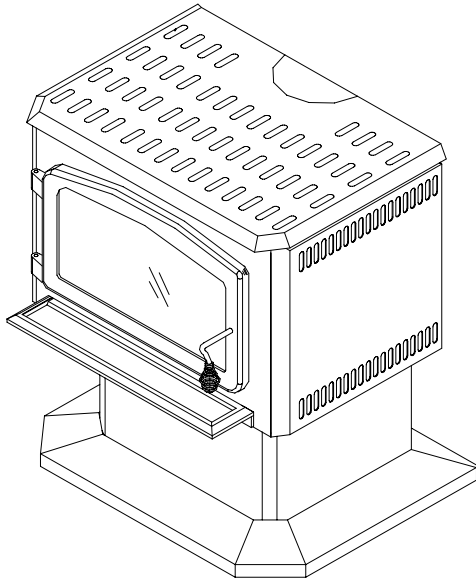


SGS

OWNER'S MANUAL



Warnock Hersey



WARNING: If the information in these instructions is not followed exactly, a fire or explosion may result causing property damage, personal injury or death.

FOR YOUR SAFETY: Do not store or use gasoline or other flammable vapors and liquids in the vicinity of this or any other appliance.

Installation and service must be performed by a qualified installer, service agency or the gas supplier.

WHAT TO DO IF YOU SMELL GAS:

- Do not try to light any appliance.
- Do not touch any electric switch; do not use any phone in your building.
- Immediately call your gas supplier from a neighbor's phone. Follow the gas supplier's instructions.
- If you cannot reach your gas supplier, call the fire department.

THE INSTALLATION MUST BE IN ACCORDANCE WITH LOCAL CODES OR, IN THE ABSENCE OF LOCAL CODES, WITH THE CURRENT **NATIONAL FUEL GAS CODE ANSI Z223.1 (USA)** OR THE CURRENT **CAN/CGA B149 INSTALLATION CODES (CANADA)**.

**PLEASE KEEP THIS INSTRUCTIONS MANUAL
FOR FUTURE REFERENCE**

SBI, 1700 LÉON-HARMEI, QUÉBEC, (QUÉBEC), CANADA, G1N 4R9
Tel : (418) 527-3060
Fax : (418) 527-4311
www.drolet.ca

010517/45047A_feb 03

TABLE OF CONTENTS

GENERAL INFORMATION	2
WARNINGS	2
TECHNICAL SPECIFICATIONS.....	3
SGS Dimensions.....	3
SGS II Dimensions.....	4
Burner.....	5
Gas Valve.....	5
Pressure Adjustments	5
Available Options	5
INSTALLATION	6
Safety Notice	6
Positioning the Stove	6
Clearances to combustibles.....	7
Direct Vent Installation	8
Critical Length of Venting Pipes	8
Terminal Vent Location	9
Installation of Drolet Wall Venting Kits	10
Vented Gas Stove Installation ("B-Vent").....	12
Critical Length of Venting Pipes	12
Stove conversion for a "B-Vent" installation only	13
Gas Piping.....	15
Logs Installation	15
Ember Kit Installation	16
Pedestal cover (model SGS and SGS II).....	16
OPERATING YOUR STOVE	17
For your safety	17
Lighting Instructions	17
Shut down Instructions.....	18
Optional Wall Thermostat (AC05558)	18
The benefits of installing a blower.....	19
Optional Thermodisc (AC05530)	20
MAINTENANCE INSTRUCTIONS	21
Yearly maintenance	21
Glass door.....	21
Cleaning	21
Repairing.....	21
Burner.....	22
Removing the Burner	22
Burner Installation	22
Air Shutter Adjustment (under the burner)	22
OPTIONS.....	23
REPLACEMENT PARTS	23
LIMITED WARRANTY	24

GENERAL INFORMATION

The **SGS GAS STOVE** is a high-efficiency gas appliance with a maximum input rating of 28 500 BTU/h (8,4 kW) with natural gas or 26 000 BTU/h (7,6 kW) with propane. It features an adjustable millivolt valve and a constant pilot independent of any electrical source. Your appliance will therefore continue to heat your house in the event of a power failure. You can set the height of the flame to your liking by turning the adjusting knob.

For increased efficiency, we offer as an option an ultra quiet tangential blower with speed control. An optional thermostat is also available for automatic room temperature control.

This appliance must be connected to a venting system. Read these instructions and consult your local building authorities before installing this appliance. In the case of a direct vent installation use only with Simpson (Dura-Vent), Security Chimneys International (Secure Vent), Selkirk (Direct-Temp) or Drolet Direct Vent Kit.

KEEP THESE INSTRUCTIONS FOR FUTURE REFERENCE

This gas stove has been tested by Intertek Testing Services according to CGA-2.33-M00 and CAN/CGA-2.17-M91 for Canada and ANSI Z21.88-2000.

It is mobile home approved in the case of a direct vent installation only. This appliance must be installed in accordance with the current Standard Mobile Homes, CAN/CSA Z240 MH OR CAN/CSA Z240RV, RECREATIONAL VEHICLES or with the Manufactured Home Construction and Safety Standard, Title 24 CFR, Part 3280, or when such a standard is not applicable, the current Standard for Fire Safety Criteria for Manufactured Home Installations, Sites, and Communities, ANSI/NFPA 501A or with the current Standard for RECREATIONAL VEHICLES, ANSI A119.2/NFPA 501C.

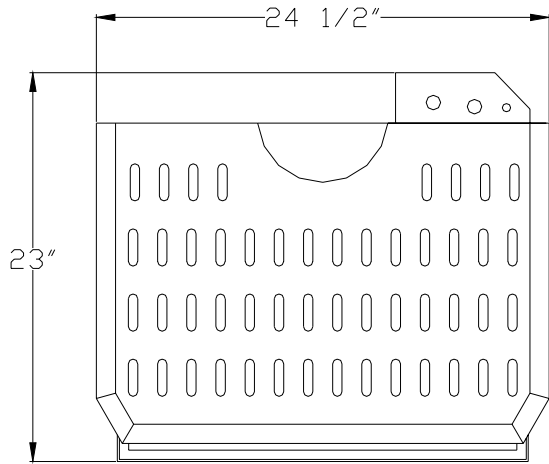
The unit can be installed in a range of altitude from 0 to 4 500 ft (0-1 370 m) in Canada when using natural gas. For propane gas, the valve need to be adjusted for altitudes between 2000' and 4500' (610-1370m). In USA, see gas codes for operating above 2000 ft.

WARNINGS

- Installation should be done by a qualified installer.
- Do not burn wood or any other material in this appliance.
- Hot when in operation. Keep children, furniture, clothing and flammable material away from the appliance.
- Inform adults and children to the hazard of high surface temperatures and that they should stay away to avoid burns or clothing ignition.
- Young children should be supervised when they are in the same room as the appliance.
- The appliance should be inspected before use and at least once a year by a qualified service person. More frequent cleaning may be required due to excessive lint from carpeting, bedding material, etc.
- It is imperative that the control compartments, burners and circulating air passageways be kept clean.
- Do not modify this appliance.
- The openings in the gas stove pedestal should never be blocked.
- Provide adequate accessibility clearances for servicing and proper operation.

TECHNICAL SPECIFICATIONS

SGS Dimensions



TOP VIEW

Dimensions

Height : 27 3/4 po / 706 mm

Width : 24 1/2 po / 621 mm

Depth : 23 po / 585 mm

Ceramic Glass

8 3/4 po x 16 5/8 po

222 mm x 422 mm

Weight

115 lbs / 53 kg

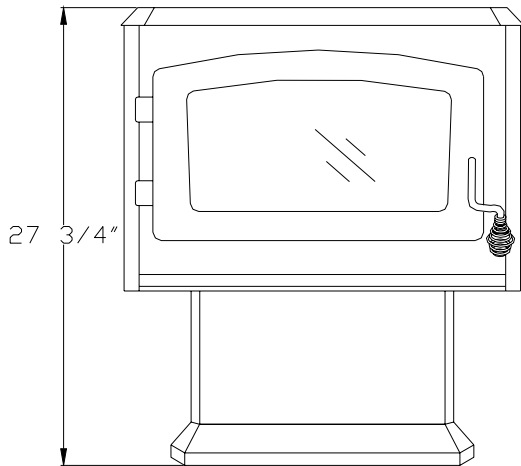
Color

Metallic black

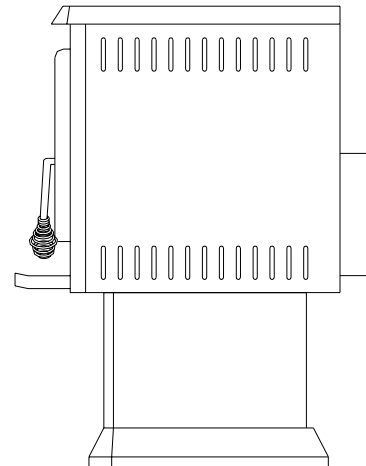
Clearances to Combustibles

- Back : 7 po 180 mm
- Side : 7 po 180 mm
- Corners : 4 po 100 mm
- Top : 36 po 915 mm
- Combustible Floor ^{Note 1}

Note 1 : Your stove has been successfully certified while installed on a wood floor. Do not install your stove on carpeted floor. Choose a ceramic tile or wood floor instead.

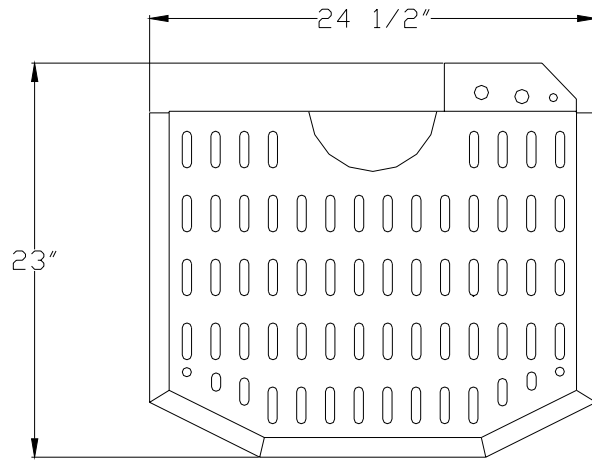


FRONT VIEW



SIDE VIEW

SGS II Dimensions



TOP VIEW

Dimensions

Height : 27 3/4 po / 706 mm
 Width : 24 1/2 po / 621 mm
 Depth : 23 po / 585 mm

Ceramic Glass

Front : 11 1/2 po x 12 1/2 po
 292 mm x 318 mm
 Side : 4 3/8 po x 12 1/2 po
 111 mm x 318 mm

Weight

122 lbs / 56 kg

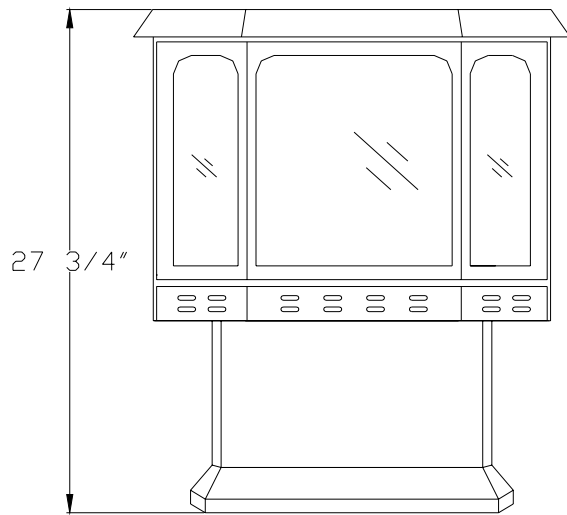
Color

Metallic black

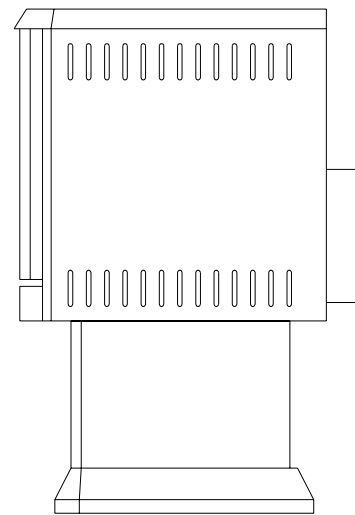
Clearances to Combustibles

- Back : 7 po 180 mm
- Side : 7 po 180 mm
- Corners : 4 po 100 mm
- Top : 36 po 915 mm
- Combustible Floor ^{Note 1}

Note 1 : Your stove has been successfully certified while installed on a wood floor. Do not install your stove on carpeted floor. Choose a ceramic tile or wood floor instead.



FRONT VIEW



SIDE VIEW

Burner

		Natural Gas		Propane LP	
Maximum Input, BTU/h (kW)	minimum :	19 000	(5,6)	20 000	(5,9)
	maximum :	28 500	(8,4)	26 000	(7,6)
Inlet Pressure Inch WC (kPa)	minimum :	5,0	(1,3)	11,0	(2,8)
	maximum :	7,0	(1,8)	14,0	(3,5)
Manifold Pressure Inch WC (kPa)	minimum :	1,6	(0,4)	6,3	(1,7)
	maximum :	3,5	(0,9)	10,0	(2,5)
Burner orifice, Ø :		#36 DMS		#52 DMS	

Gas Valve

	Natural Gas	Propane LP
S.I.T. Controls USA	Model SIT 0.820.634 Nova mV	Model SIT 0.820.633 Nova mV
Honeywell	VS8420E8001B	VS8420E8001B

YOUR STOVE IS EQUIPPED WITH A SOPHISTICATED GAS CONTROL VALVE FOR A SAFE USE. THE GAS CONTROL VALVE OPERATES WITHOUT ELECTRICITY DUE TO THE ENERGY GIVEN BY THE PILOT FLAME AND CAPTURED BY THE THERMO-GENERATOR. (ALSO CALLED THERMOPILE). THE ADMISSION OF THE GAS FUEL TO THE BURNER IS DONE ONLY UNDER SAFE CONDITIONS.

Pressure Adjustments

For USA, above 2000 ft (610 m), see gas codes to adjust the valve operating pressure.

- **Adjustments to the valve assembly must be performed by a qualified service person.**
- The appliance and its individual shutoff valve must be disconnected from the gas supply piping system during any pressure testing of that system at test pressures in excess of ½ psi (3.5 kPa);
- The appliance must be isolated from the gas supply piping system by closing its individual manual shutoff valve during any pressure testing of the gas supply piping system at test pressures equal to or less than ½ psi (3.5 kPa);

NATURAL GAS

The inlet supply or line pressure must be a minimum of 5" WC and a maximum of 7" WC. The orifice has a #36 DMS hole.

ELEVATION	INPUT RATING
0-4500 ft (0-1400m)	28 500 BTU/h (8.4 kW)
over 4500 ft (1400 m)	28 500 BTU/h (8.4 kW) less 4% per 1000 ft (300 m) or reduce manifold pressure by 0.25 INWC per 1000 ft (300 m)

PROPANE GAS

The inlet supply or line pressure must be a minimum of 11" WC and a maximum of 14" WC. The orifice has a #52 DMS hole.

ELEVATION	INPUT RATING
0-2000 ft (0-610 m)	26 000 BTU/h (7.6 kW) Manifold pressure 10 " WC
2000-4500 ft (0-1400 m)	24 200 BTU/h (7.0 kW) Manifold pressure 8.5 " WC
over 4500 ft (1400 m)	24 200 BTU/h (7.6 kW) less 4% per 1000 ft (300 m) or reduce manifold pressure by 1" WC per 1000 ft

NOTE : The input rating should always be checked when running this appliance for the first time. To do this, verify inlet valve pressure and manifold pressure. Adjust manifold pressure to meet the value range as indicated in the burner characteristics table.

Available Options

Blower Kit AC02050

- Ultra quiet tangential blower;
- Variable speed control.

Thermo Switch Kit AC05530

- Thermo switch starting the blower at 110 °F (43 °C) and stopping it at 90 °F (32 °C)

Thermostat Kit AC05558

INSTALLATION

Before starting any installation, make sure you know :

- Where you run your gas line ;
- What type of venting kit you need ;
- Where you run your venting pipes ;
- Where you install the terminal vent in respect with installation code ;
- Clearances to combustibles ;
- Length of horizontal and vertical runs of venting pipes.

Safety Notice

- **IMPROPER INSTALLATION MAY RESULT IN A HOUSE FIRE. FOLLOW INSTALLATION DIRECTIONS. INSTALLATION MUST BE DONE IN ACCORDANCE WITH LOCAL BUILDING CODES OR, IN THE ABSENCE OF LOCAL CODES, WITH CURRENT CAN/CGA B 149 INSTALLATION CODES FOR GAS APPLIANCES (CANADA) AND CURRENT NATIONAL FUEL GAS CODE ANSI Z223.1 (USA).**
- **A QUALIFIED INSTALLER MUST PERFORM THE INSTALLATION.**
- **THIS GAS STOVE MUST BE VENTED OUTSIDE.**
- **THIS GAS STOVE, WHEN INSTALLED WITH AN OPTIONAL BLOWER, MUST BE ELECTRICALLY GROUNDED IN ACCORDANCE WITH LOCAL CODES OR, IN THE ABSENCE OF LOCAL CODES, WITH THE NATIONAL ELECTRICAL CODE, ANSI/FPA 70, OR THE CANADIAN ELECTRICAL CODE, CSA C22.1.**

Positioning the Stove

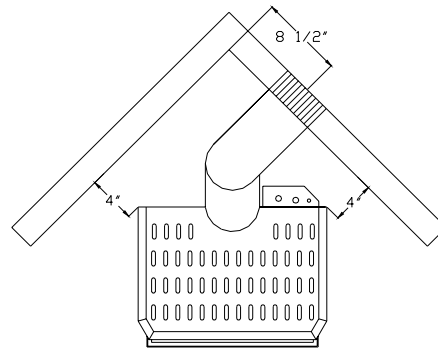
- Always locate the stove as near as possible to an outside wall. Keep horizontal run of vent pipe as short as possible;
- Provide adequate clearances around air openings into the combustion chamber. Provide adequate accessibility clearances for servicing and proper operation.
- The SGS may be installed in a bedroom provided that all required clearances are met and a wall thermostat is installed.
- Never install the stove in a hallway or near a staircase as it may block the way in case of a fire.
- **A gas appliance must not be connected to a chimney flue serving a separate solid-fuel burning appliance other than gas.**

Clearances to combustibles

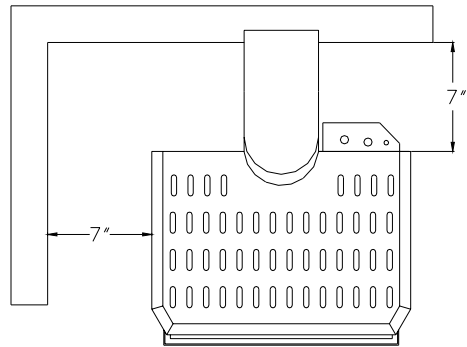
Clearance between the stove and any combustible material must also be maintained while installing your appliance.

CLEARANCE	
Back (in)	7
Side (in)	7
Corners (in)	4
Top (in)	36
Front (in)	36
Pipe (in)	1 ½

Floor	Combustible ^{Note 1}
-------	-------------------------------



Corner Installation

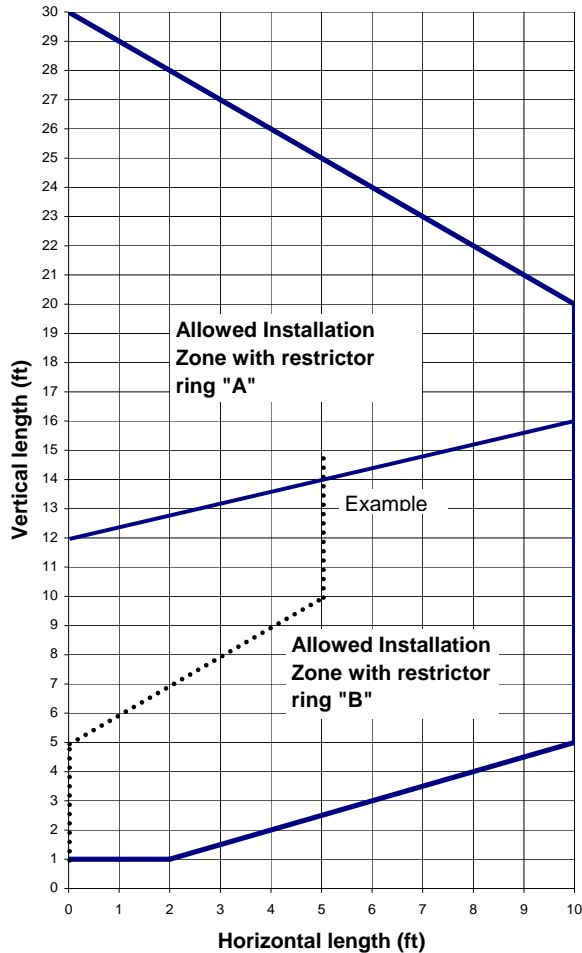


Direct Installation

Note 1 : Your stove has been successfully certified while installed on a wood floor. Do not install your stove on carpeted floor. Choose a ceramic tile or wood floor instead.

Direct Vent Installation

Critical Length of Venting Pipes



The following table shows the maximum length to be respected while installing your appliance with venting pipes (4"X6 5/8") from Simpson Dura-Vent, Security Chimneys International (Secure Vent) or Selkirk (Direct-Temp) only.

The maximum number of elbows in your venting system is three (3) 45° elbows or one (1) 45° elbow and two (2) 90° elbows.

Example (the dotted line on the table):

The example on the table is showing a possible installation with five (5) feet of horizontal run and fifteen (15) feet of vertical rise. The venting system starts with a 45° elbow at the stove level, one (1) 45° elbow at five (5) feet and another one at ten (10) feet. The maximum number of three (3) 45° elbows is reached. Take note that this installation must start with the restrictor ring "A" as shown on the table.

The restrictor ring must be inserted between two pipe sections.

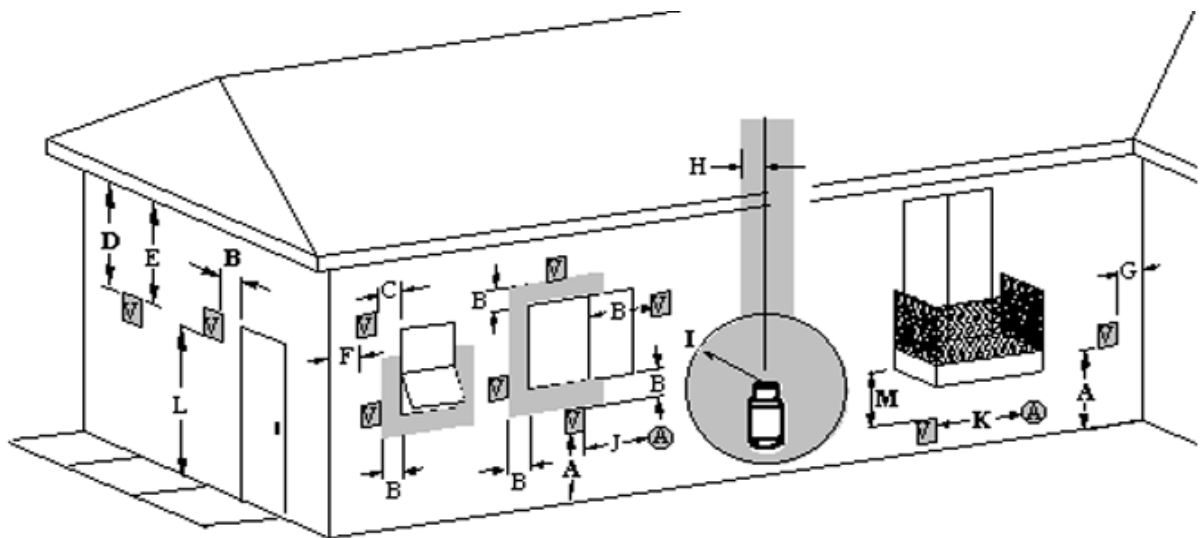
No horizontal run is allowed with a negative slope. You need a minimum upward slope of a 1/4" per foot for every length of horizontal pipe.

If there is an enclosure of the venting pipes it must be a minimum of 9" X 9".

If your venting system is ending over the line from twelve (12) feet to sixteen (16) feet on the table, you must use the restrictor ring "A" when going out of the stove to the venting system.

Terminal Vent Location

Your SGS stove vents through a vent terminal installed on the roof or on the outside of any exterior wall of your house. Many restrictions apply to the vent terminal location that should be considered before locating your stove. The following drawing presents a summary of most of these restrictions.



V VENT TERMINAL
SORTIE DU TUYAU
D'ÉVACUATION

A AIR SUPPLY INLET
ENTRÉE D'AIR FRAIS

■ AREA WHERE TERMINAL IS NOT PERMITTED
ZONE OU LA SORTIE N'EST PAS PERMISE

LÉGENDE

- A. 12" Clearance above grade, veranda, porch, deck or balcony
 - B. 12" Clearance to window or door that may be opened
 - C. 12" Clearance to permanently closed window
 - D. 18" Vertical clearance to ventilated soffit located above the terminal within a horizontal distance of 2 feet (60 cm) from the center-line of terminal (direct or corner installation)
 - 24" Vertical clearance to ventilated soffit (Basement installation)
 - E. 12" Clearance to unventilated soffit, (straight out or corner installation)
 - 24" Clearance to unventilated soffit, (Basement installation)
 - F. 12" Clearance to outside corner
 - G. 12" Clearance to inside corner
 - H. 36" Clearance to each side of the centerline extended above the meter / regulator assembly to a maximum vertical distance of 15ft (4.57M)
 - I. 36" Clearance to service regulator vent outlet
 - J. 12" Clearance to non-mechanical air supply inlet to building or the combustion air inlet to any other appliance
 - K. 72" Clearance to a mechanical air supply inlet
 - L. 84" Clearance above paved sidewalk or a paved driveway located on public property. A vent shall not terminate directly above a sidewalk or paved driveway which is located between two single family dwellings and serves both dwelling
 - M. 12" Clearance under veranda, porch, deck, or balcony. Only permitted if veranda, porch, deck, or balcony is fully open on a minimum of 2 sides beneath the floor.
- ❖ Local codes or regulations may require different clearances.
 - ❖ When the vent terminal is accessible, a certified guard shall be installed around the terminal.
 - ❖ The vent terminal may not be recessed into the wall or siding.

The vent terminal shall not be:

- Within 3 ft. of a building mechanical air supply;
- Less than 12 inches from a perpendicular wall;
- Under a window that pivots open.

In addition, in a structure with three walls and a roof, the vent terminal should not be installed if:

- The distance between the two sidewalls is less than 72";
- The roof exceed the walls by more than 24".

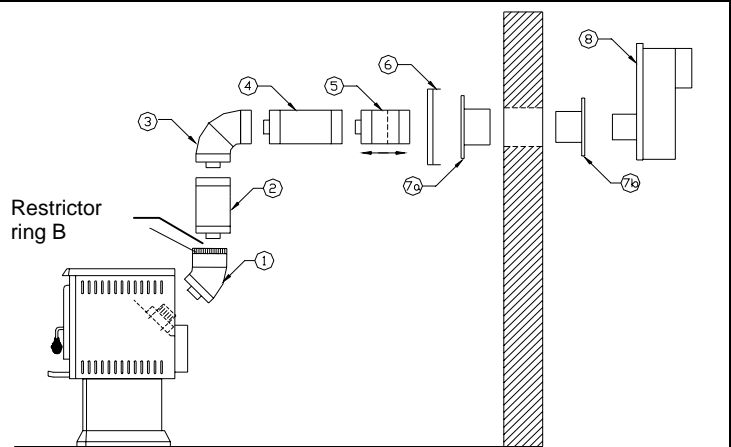
Installation of Drolet Wall Venting Kits

Direct And Corner Vent Kit Installation AC02000:

Coaxial 4" X 6 5/8" rigid vent system with black finish includes :

- | | |
|-----------------|-----------------|
| 1. | 45° Elbow |
| 2. | 24" Pipe |
| 3. | 90° Elbow |
| 4. | 24" Pipe |
| 5. | Adjustable pipe |
| 6. | Wall thimble |
| cover | |
| 7. | Wall thimble |
| 8. | Snorkel |
| termination cap | |

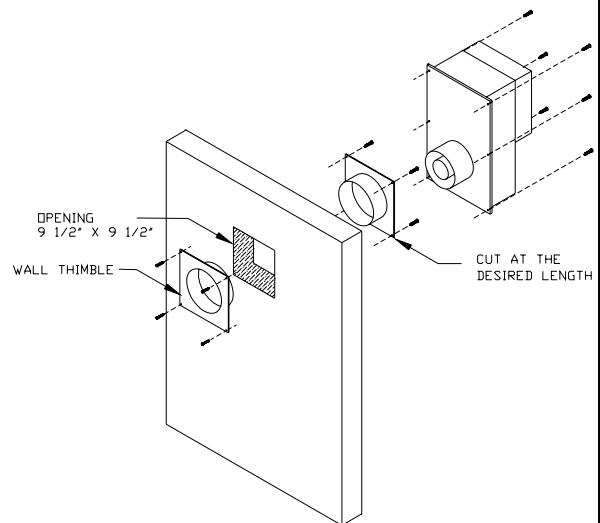
Note: Restrictor ring B is supplied with your stove. Insert the ring between section 1 and 2.



- Place the stove at the desired location ;
- Install temporarily pipes #1, #2, #3 and #4 in order to mark the opening on the exterior wall. For a corner installation, rotate elbow #3 so it is facing the exterior wall.

NOTE : Horizontal run should have a upward slope of at least $\frac{1}{4}$ " per foot.

- Make a 9 1/2" x 9 1/2" inch opening in the wall to install the wall thimble (#7a and 7b);
- If necessary, cut the wall thimble (#7a and 7b) according to the wall thickness. Slide part #7a and 7b into place and secure with 8 wood screws #10 x 1 1/2";
- Install and secure the snorkel termination cap (#8) with 1 1/2" wood screws;
- Install the wall thimble cover #6 using pipe #5 to make sure you are centered. Secure with 4 black finishing screws. Remove pipe #5;
- Install the 45° elbow on the stove. Make sure that the 6 5/8" female and the 4" male ends are toward the stove. Everything should tightly fit together.
NOTE : Make sure that all pipe junctions are properly sealed with high temperature sealer paste (700°F to 1050°F) included in your stove;
- Repeat step 7 for parts #2, 3, 4 and 5. Pipe #5 is adjustable to facilitate the connection to the termination cap;
- Seal the termination cap to the exterior wall to prevent water leakage into the house ;
- Secure the stove to the floor using the fixation holes on each side of the pedestal.

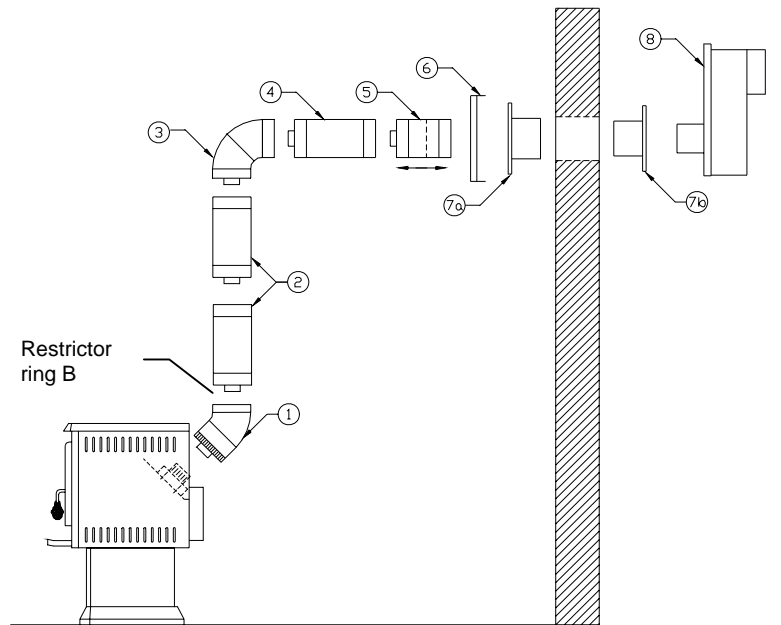


Direct Vent Kit for Basement Installation AC02010:

Coaxial 4" X 6 5/8" rigid vent system with black finish includes :

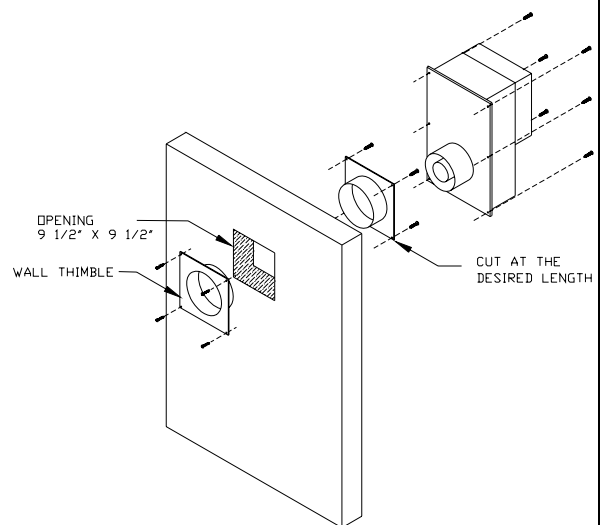
- 1- 45° Elbow
- 2- Two 24" Pipes
- 3- 90° Elbow
- 4- 24" Pipe
- 5- Adjustable pipe
- 6- Wall thimble cover
- 7- Wall thimble
- 8- Snorkel termination cap

Note: Restrictor ring B is supplied with your stove. Insert the ring between section 1 and 2.



1. Place the stove at the desired location ;
 2. Install temporarily pipes #1, #2, #3 and #4 in order to mark the opening on the exterior wall. For a corner installation, rotate elbow #3 so it is facing the exterior wall.
- NOTE : Horizontal run should have a upward slope of at least 1/4" per foot.

3. Make a 9 1/2" x 9 1/2" inch opening in the wall to install the wall thimble (#7a and 7b);
4. If necessary, cut the wall thimble (#7a and 7b) according to the wall thickness. Slide part #7a and 7b into place and secure with 8 wood screws #10 x 1 1/2";
5. Install and secure the snorkel termination cap (#8) with 1 1/2" wood screws;
6. Install the wall thimble cover #6 using pipe #5 to make sure you are centered. Secure with 4 black finishing screws. Remove pipe #5;
7. Install the 45° elbow on the stove. Make sure that the 6 5/8" female and the 4" male ends are toward the stove. Everything should tightly fit together.
NOTE : Make sure that all pipe junctions are properly sealed with high temperature sealer paste (700°F to 1050°F) included in your stove;
8. Repeat step 7 for parts #2, 3, 4 and 5. Pipe #5 is adjustable to facilitate the connection to the termination cap;
9. Seal the termination cap to the exterior wall to prevent water leakage into the house ;
10. Secure the stove to the floor using the fixation holes on each side of the pedestal.



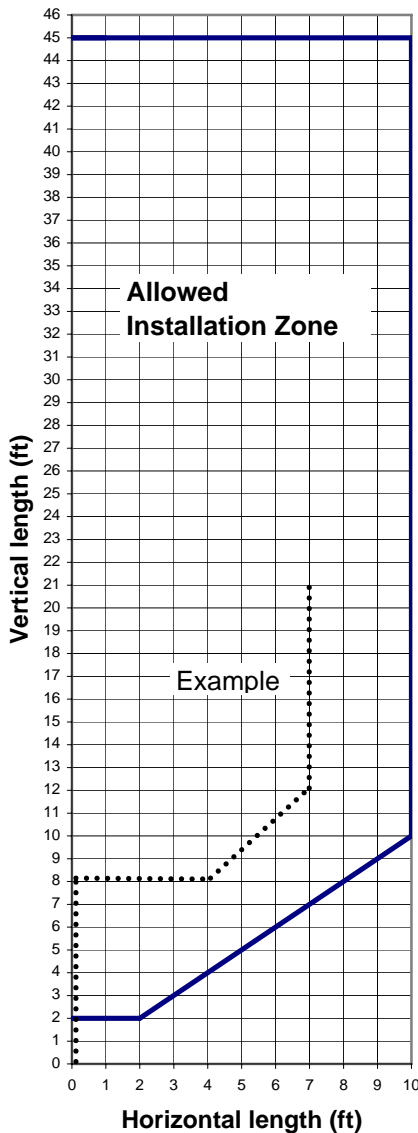
Vented Gas Stove Installation ("B-Vent")

Instead of using a standard B-vent pipe it is possible to use a 4" flexible aluminum chimney lining system into an existing chimney. The existing chimney must be a code complying masonry or listed fuel burning chimney system: 'B' vent, 'L' vent UL103 or ULC S629. Refer to the installation standards in your area or CAN/CGA B-149 AND ANSI Z223-1 standards (under "venting systems") and instructions of flexible pipe manufacturer.

It is very important that you respect the critical horizontal and vertical length of piping specified in the following diagram.

WARNING: ALWAYS USE AN APPROVED GAS PIPE. NEVER USE A CONVENTIONAL 6-INCH PIPE ALONE.

Critical Length of Venting Pipes



The maximum number of elbows in your venting system is two (2) 90° elbows. Each of the 90° elbows can be replaced by two (2) 45° elbows.

Example (the dotted line on the table):

The example on the table is showing a possible installation with seven (7) feet of horizontal run and twenty-one (21) feet of vertical rise. The maximum number of two (2) 45° elbows and one (1) 90° elbow is reached.

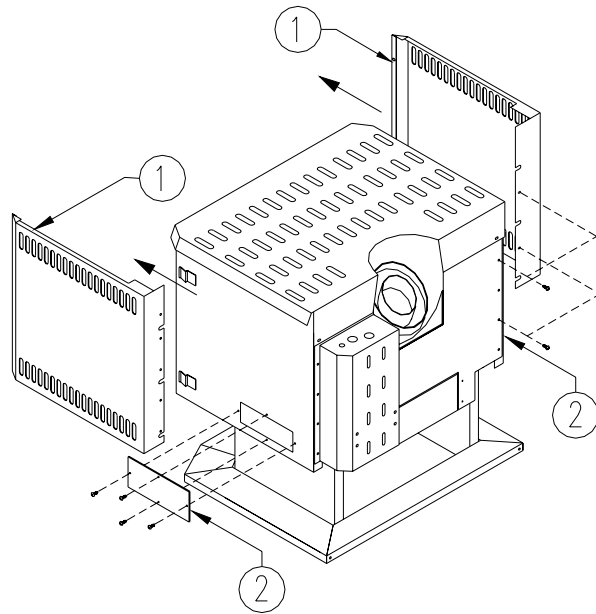
No horizontal run is allowed with a negative slope. You need a minimum upward slope of a ¼" per foot for every length of horizontal pipe.

The termination cap must be installed vertically.

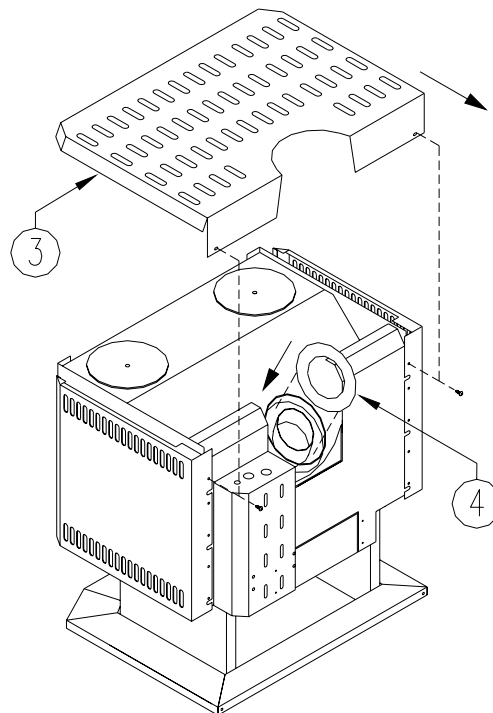
Stove conversion for a "B-Vent" installation only

The following instructions are not for a direct vent installation. Your Drolet stove is coming to you ready for a direct vent installation. You can buy a conversion kit to be able to install it as a "B-Vent" unit. To convert your stove, just follow the instructions:

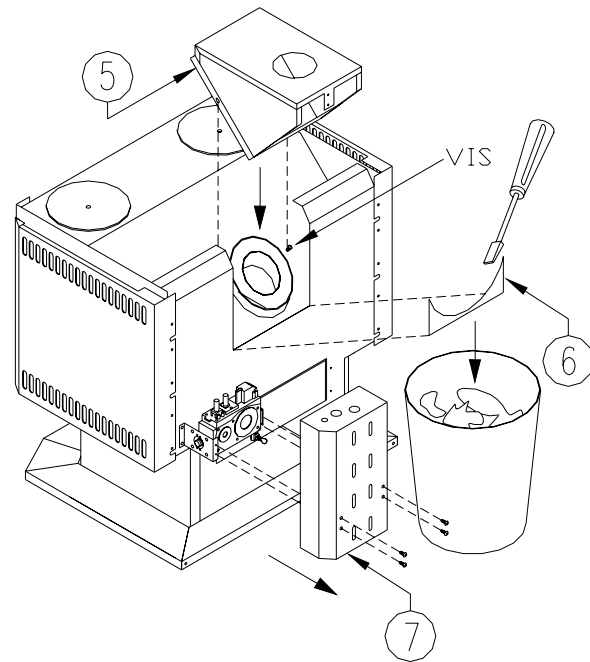
1. Remove the decorative panels (1) by unscrewing the two screws at the back of the stove. Simply slide the panel toward the front of the stove.
2. Unscrew and remove the two air intake traps (2) located each side of the stove. Reinstall the decorative panel.



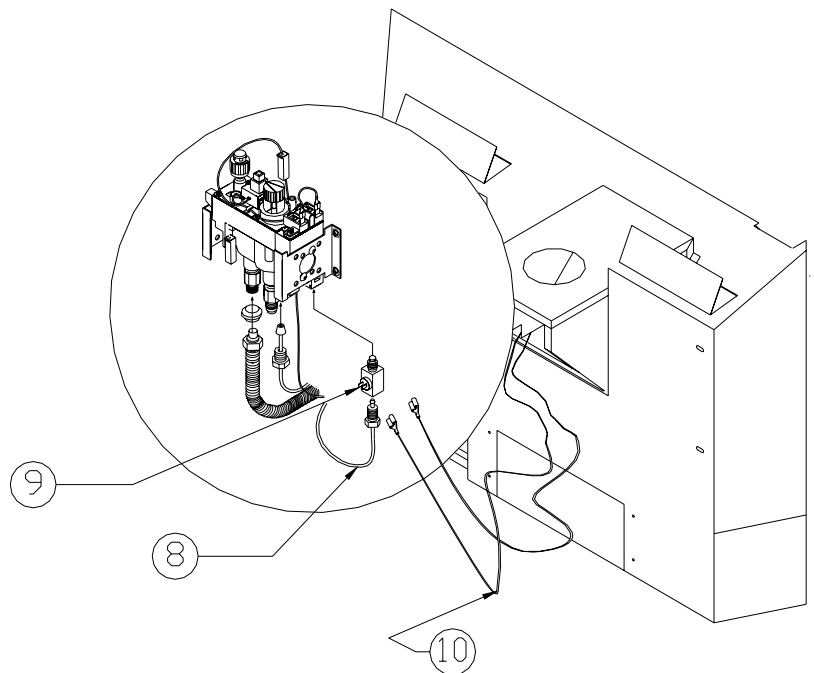
3. Remove the top of the stove (3) by unscrewing the two screws at the back of the stove. Slide the top toward the back of the stove to remove.
4. Clip the restrictor ring (4) into place to bloc the air inlet.



5. Remove and discard the metallic plate (6) from the rear heat shield using a screw driver. Unscrew just a little bit the two screws located each side of the chimney connector. Install the venting hood (5) by sliding it into place. Screw tightly in place.
6. Remove the four screws of the valve cover (7) and slide upwards to remove.



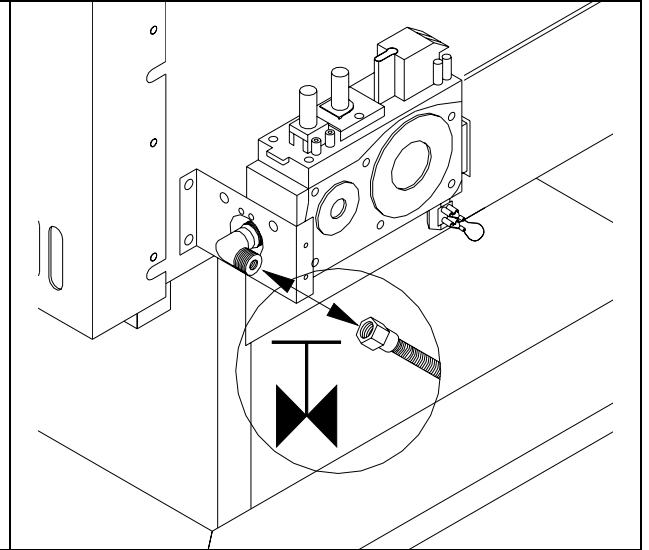
7. Unscrew the thermocouple (8) from the bottom of the valve to install interrupter bloc (9). Reinstall the thermocouple (8) into interrupter bloc (9). Connect the two wires (10) from the hood to the interrupter bloc (9).



Gas Piping

- Route a 3/8" minimum NPT iron pipe gas line to the desired location.
- Install a shutoff valve to the gas line. Tighten securely using a pipe joint compound.
- Check the gas line piping for leaks. Use a soap and water solution.

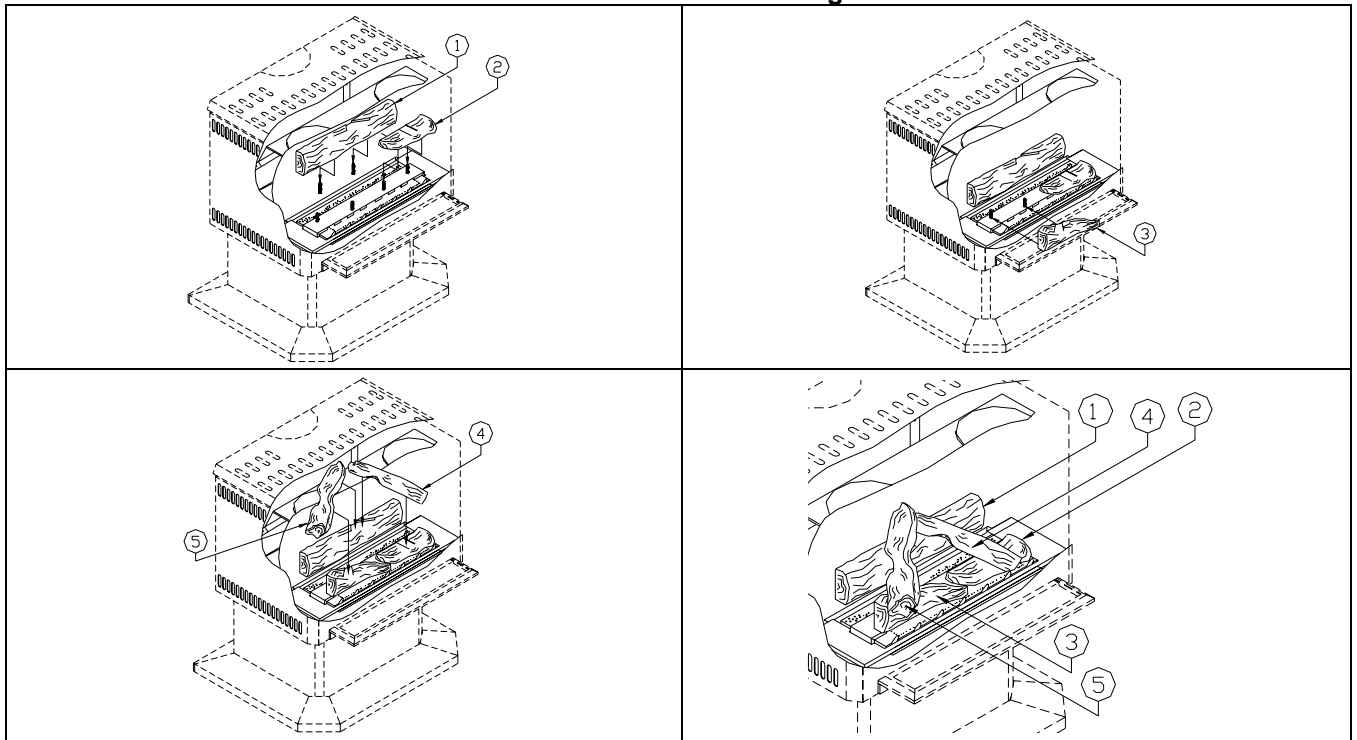
CAUTION: DO NOT USE OPEN FLAME TO CHECK LEAKS.



Logs Installation

1. Place the rear log (1) against the rear log holders. Make sure grooves behind the log line up with the holders.
2. Place logs (2) and (3) against the holders in the middle of the burner. Make sure grooves behind the logs line up with the holders.
3. Place log (4) on top of logs (1) and (2) in the matching grooves.
4. Place log (5) on top of logs (1) and (3) in the matching grooves.

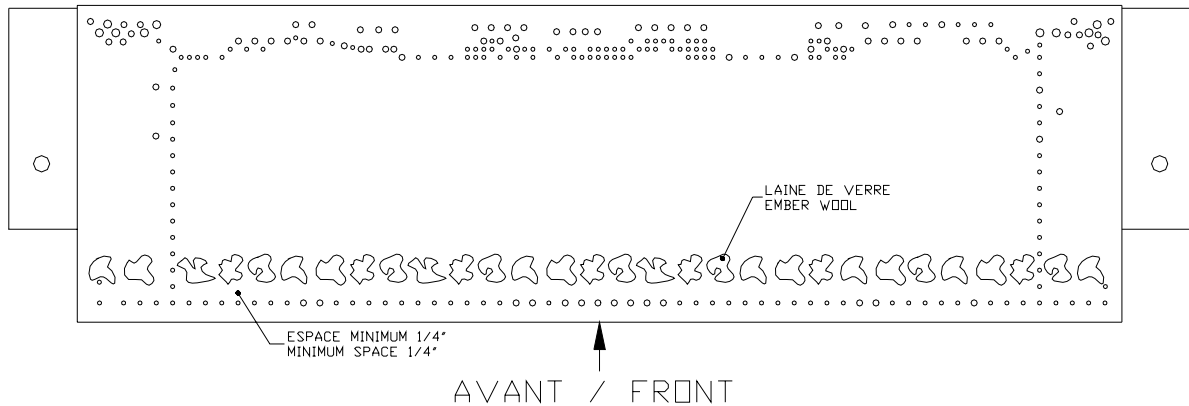
WARNING : If you need to clean the logs, do it with a flexible paint brush otherwise you will break the logs.



Ember Kit Installation

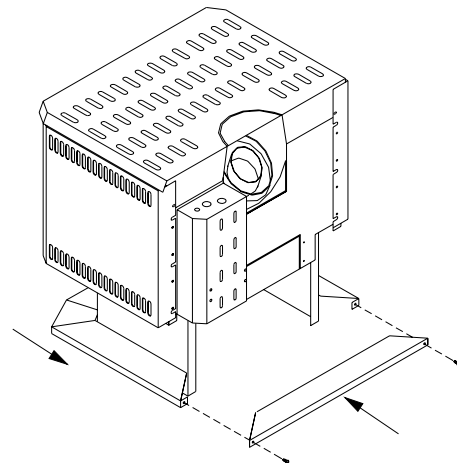
CAUTION: Blocking gas ports with rock wool will result in poor light-up performance, delayed ignition, affect flame aspect and form carbon deposit on logs.

1. Place some pieces of rock wool fibers approximately 1/2" large behind the front gas ports.
2. Light the stove. Modify the configuration of the rock wool near the gas ports until you reach the desired effect.



Pedestal cover (model SGS and SGS II)

1. Screw the stove on the floor using the fixation holes each side of the pedestal;
2. Slide the pedestal cover over the pedestal from the front;
3. Place the back cover on the pedestal cover and secure with the supplied screws.



OPERATING YOUR STOVE

For your safety

ATTENTION :

- **A QUALIFIED INSTALLER MUST PERFORM INSTALLATION OF THE APPLIANCE, VENTING, PIPING AND ADJUSTMENTS.**
- **DURING OPERATION, THIS STOVE IS HOT. DO NOT TOUCH. KEEP CHILDREN, CLOTHING, FURNITURE AND FLAMMABLE MATERIALS AWAY.**



- Make sure your stove is in good condition. Verify that the door close perfectly and that all controls work as per specifications. Vent must be in perfect condition and sealed.
- Make sure your stove has been fabricated in respect with the type of gas you are using. Refer to the rating plate installed on the back of your stove.
- The appliance and its individual shutoff valve must be disconnected from the gas supply piping system during any pressure testing of the system at test pressures in excess of ½ psi (3.5 kPa); The appliance must be isolated from the gas supply piping system by closing its individual manual shutoff valve during any pressure testing of the gas supply piping system at test pressures equal to or less that ½ psi.
- Do not use this appliance if any part has been under water. Immediately call a qualified service technician to inspect the appliance and to replace any part of the control system and any gas control, which has been under water. Make sure that there are no obstructions in the air intake or venting system.
- Clear the immediate area of combustible materials, gasoline, and other flammable liquids and vapors.
- Make sure that the logs are in the right position.

Lighting Instructions


During the first few hours of operation, the appliance will release an odor. This is caused by the burning off of residual oils used in the manufacturing process and by the curing of the high heat paint. Open a window to get fresh air inside the house. The ceramic glass window may require cleaning after this initial fire. Please read the instructions on cleaning in the MAINTENANCE section before doing so.

First Lighting

WARNING : If you do not follow these lighting instructions exactly, a fire or explosion may result causing property damage, personal injury, or death.

- Make sure the gas control knob is turned to the "OFF" position. If it is not, press the knob slightly and turn it clockwise  to the "OFF" position. Do not force the gas control knob. If the gas control was in the "ON" position, you should wait 5 minutes before trying to re-light the stove.
- If you smell gas, STOP and follow instructions on the COVER page.
- Locate the pilot on the right side under log #1.
- Push in and turn gas control knob counterclockwise  to the "pilot" position.
- Press gas control knob in and hold. Immediately push the red igniter button repeatedly until pilot flame ignites. Continue holding in the control knob for 5 to 10 seconds, and then release it. If the pilot flame goes out, repeat this step.

Note: you might have to push the igniter (red button) a couple of times before getting a pilot flame.

- Push and turn gas control knob counterclockwise  to the "ON" position. The burner flame will light.

IMPORTANT NOTE:

- ❖ The gas valve is equipped with a thermopile (thermo generator) and a thermocouple. The thermopile while warm up by the pilot flame supplies the necessary energy to the operation of the gas control valve. As long as there's no flame failure, the valve let the gas flowing to the stove.
- ❖ **Let your stove cool down between two lightings:** If you attempt to relight your appliance while the thermocouple is still warm, the control valve will not let the gas flow to the burner. Wait a few minutes to cool the thermocouple down.

Shut down Instructions

To turn the burner OFF but leave the pilot open

- Push in and rotate the gas control knob clockwise ↻ to "PILOT" position. Do not force.

To turn the pilot OFF

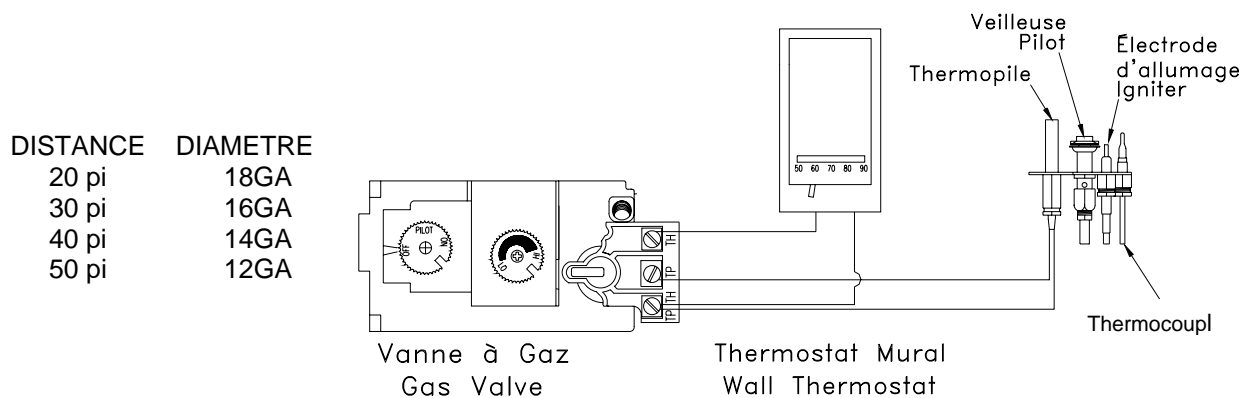
- Push in and rotate the gas control knob clockwise ↻ to "OFF" position. Do not force.

Optional Wall Thermostat (AC05558)

Note: Use only a millivolt thermostat to prevent any permanent damage to the valve.

The optional wall thermostat will automatically keep your room at an even temperature. You need to choose a convenient location for the thermostat. Remember that it should be at least 10 feet from the stove and away from direct radiation of the fire. Run the correct gauge wire (see table) from the valve to the thermostat and wire as shown in the diagram.

REMOVE THE BLUE JUMPER BETWEEN TH & TPTH SCREWS ON THE GAS VALVE. PLUG THE THERMOSTAT WIRES (TH & TPTH).

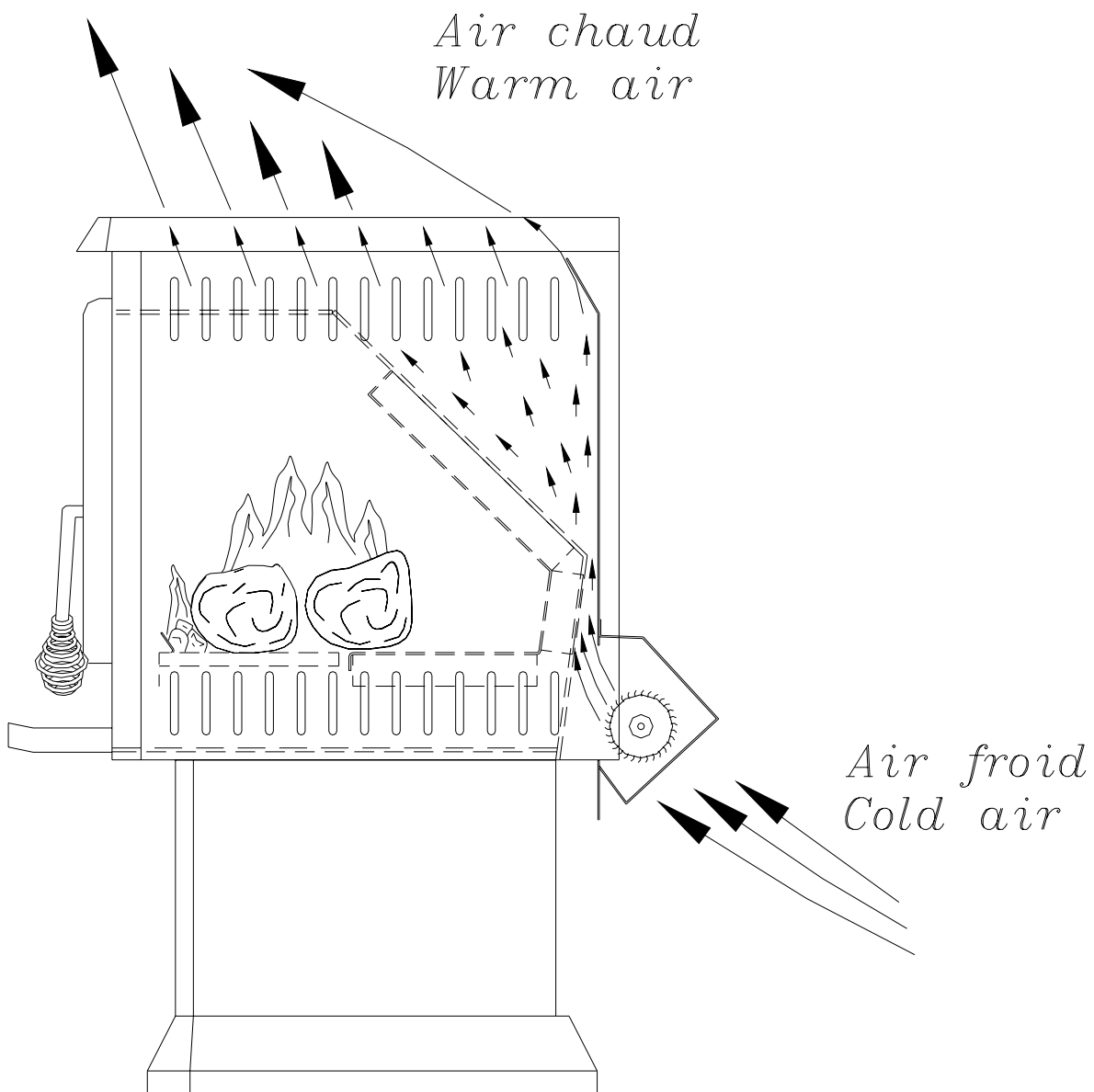


To use your SGS with the wall thermostat, follow the lighting procedure and set the gas control to the ON position. Simply set your wall thermostat to a comfortable temperature and the stove will do the rest.

The benefits of installing a blower

A blower can be installed at the back of your DROLET stove. This option is necessary if you wish to redistribute into a room the heat trapped at the back of your stove. By forcing hot air toward the front, the blower enables you to extend the radiation power of your stove.

You can purchase this option through your DROLET dealer. Make sure to specify this part number: #AC02050. You can also install a thermodisc to enable the blower to start or stop automatically when the stove is hot or too cold. The thermodisc part number is AC05530. Installation instructions are supplied with the blower and the thermodisc.

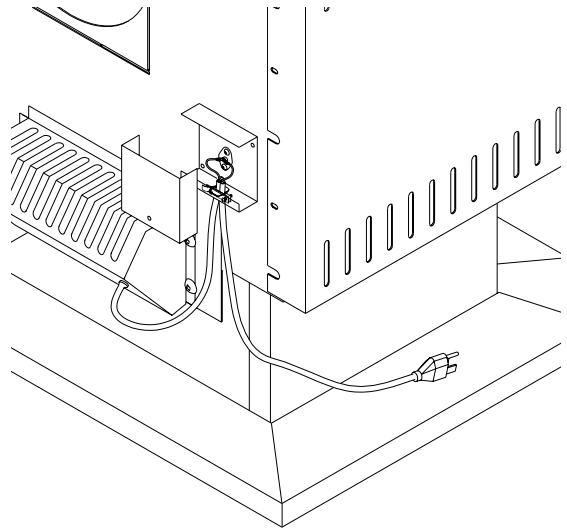


Optional Thermodisc (AC05530)

Follow the installation instructions included with the optional thermodisc.

The fixation holes are located at the back of the stove on the lower right corner. Refer to the drawing on this page.

Note : The blower will start when the temperature at the back of the stove, where the air is circulated, reaches 110 °F (43 °C). This can take 30 to 60 minutes. The time varies depending of the burner intensity and the temperature of the room where the stove is located.



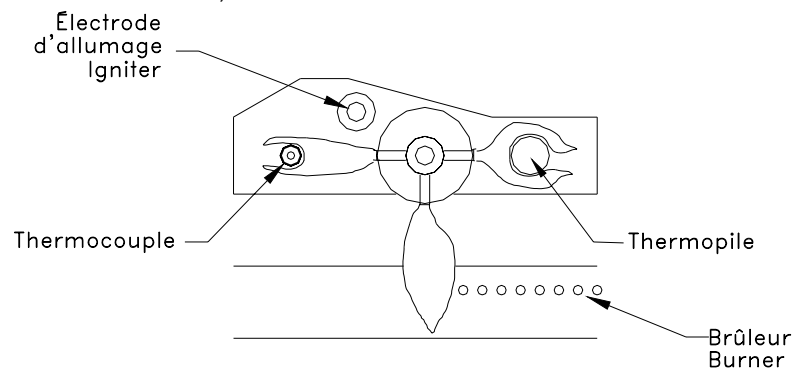
MAINTENANCE INSTRUCTIONS

WARNINGS :

- **TURN OFF THE GAS WITH THE SHUTDOWN VALVE AND DISCONNECT THE ELECTRICAL POWER BEFORE SERVICING THE APPLIANCE.**
- **LABEL ALL WIRES PRIOR TO DISCONNECTION WHEN SERVICING CONTROLS. WIRING ERRORS CAN CAUSE IMPROPER AND DANGEROUS OPERATION.**
- **VERIFY PROPER OPERATION AFTER SERVICING.**
- **DO NOT OPERATE THE STOVE WITH THE GLASS REMOVED, CRACKED OR BROKEN. REPLACEMENT OF THE GLASS SHOULD BE DONE BY A LICENSED OR QUALIFIED SERVICE PERSON.**
- **THE GLASS MUST BE HANDLED WITH CARE, NO STRIKING OR SLAMMING SHUT.**

Yearly maintenance

- The venting system and the gas stove should be inspected at least once a year.
- The control compartment, air circulating passages, firebox, logs and burner should be cleaned at least once a year by vacuuming or brushing.
- Check the pilot flame to see if it is adjusted properly (as shown below). Readjust the pilot flame if necessary or clean the pilot orifice if readjustment is not possible.
- Check the burner for flame lifting or for unusual flame pattern. If necessary, clean the burner orifice. For more information, see "Adjustments" in the INSTALLATION section.
- Keep the area clear and free from combustible materials, gasoline and other flammable vapors and liquids.
- In the case of a "B-Vent" installation, check the hood thermo switch.



Glass door

Cleaning

- Never clean this glass with abrasive cleaners;
- Use only a cleaner recommended by your dealer;
- Never clean the glass while it is still hot;
- Do not operate the stove with the glass broken or removed.

Repairing

- Ask your Drolet dealer to provide you with the appropriate replacement glass (ceramic glass (Robax) 5mm (3/16")). Do not use substitute materials.
- To replace the glass, remove the screws retaining the glass moldings inside the door. Remove the moldings and replace the damaged piece with a new one. Perform the procedure backwards after replacing. When replacing the glass, you should change the glass gasket to make sure you keep it sealed.
- If the gasket is damaged, replace it with an identical one. To get a new gasket, refer to your DROLET dealer.

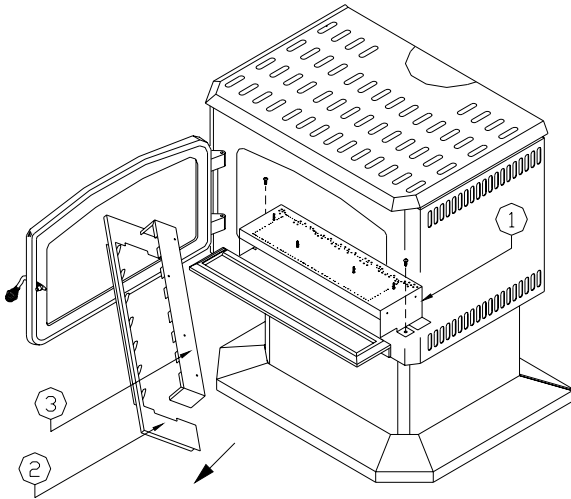
Burner

Removing the Burner

- Open the glass door. Remove the burner contour (2) and the deflector (3). Unscrew the two screws on each side of the burner (1).
- Slide the burner out from the ventury towards the left. Get it out from the stove.

Burner Installation

- Get the burner back in place and push it towards the right until the main orifice enters into the ventury;
- The o-ring gasket must be in place between the main orifice;
- Screw the burner back into the bottom of the combustion chamber.



WARNING :

The main orifice burner must be well inserted into the ventury tube, or damages during lighting could occur.

Air Shutter Adjustment (under the burner)

- Loosen the screw of the air shutter on the ventury in order to increase/decrease the opening.
- The factory setting for the air shutter is 3/16" open for natural gas, and fully open for propane.
- After operating the appliance 30 minutes, the flames should have turned into nice yellow color.

OPTIONS

DESCRIPTION**PART #**

Millivolt Wall Thermostat	AC05558
Tangential blower with variable speed control	AC02050
Direct Vent Kit and Corner Installation	AC02000
Direct Vent Kit Basement Installation	AC02010

REPLACEMENT PARTS

DESCRIPTION**PART #**

5 logs set	AC05791
Burner (natural gas and propane)	SE09011-02
Orifice natural gas	9071
Orifice propane gas	9071-01
Pilot SIT natural gas	49103
Pilot SIT propane gas	49106
Thermocouple SIT	49122
Piezo	49128
Natural gas valve Nova SIT 820	49133
Propane gas valve Nova SIT 820	49126
Thermo Switch	44044



1700, rue Léon-Harmel, Québec (Québec) G1N 4R9
 tel. : (418) 527-3060 fax : (418) 527-4311
 e-mail : tech@drolet.ca web site : www.drolet.ca

LIMITED WARRANTY

The warranty of the manufacturer extends only to the original consumer purchaser and is not transferable. This warranty covers brand new products only, which have not been altered, modified nor repaired since shipment from factory. Proof of purchase (dated bill of sale), model name and serial number must be supplied when making any warranty claim to your Drolet dealer.

This warranty applies to normal residential use only. Damages caused by misuse, abuse, improper installation, lack of maintenance, over firing, negligence or accident during transportation are not covered by this warranty.

This warranty does not cover any scratch, corrosion or discoloration caused by over firing, abrasives or chemical cleaners. Any defect or damage caused by the use of unauthorized parts or others than original parts void this warranty.

An authorized qualified technician must perform the installation in accordance with the Instructions supplied with this product and all local and national building codes. Any service call related to an improper installation is not covered by this warranty.

Returned products are to be shipped prepaid to the manufacturer for investigation. If a product is found to be defective, the manufacturer will repair or replace such defect and reasonable transportation fees will be refunded. Repair work covered by the warranty, executed at the purchaser domicile by an authorized qualified technician requires the prior approval of the manufacturer. Labour cost and repair work to the account of the manufacturer are based on predetermined rate schedule and must not exceed the wholesale price of the replacement part.

The manufacturer at its discretion may decide to repair or replace any part or unit after inspection and investigation of the defect. The manufacturer may, at its discretion, fully discharge all obligations with respect to this warranty by refunding the wholesale price of any warranted but defective parts

The manufacturer shall in no event be responsible for any special, indirect, consequential damages of any nature, which are in excess of the original purchase price of the product.

DESCRIPTION	WARRANTY APPLICATION	
	PARTS	LABOUR
Combustion chamber (weldings only)	5 years	5 years
Stainless baffle	5 years	1 year
Carbon Steel baffle	2 years	1 year
Gas Valve, piezo, thermopile, thermoswitch, burner	1 year	1 year
Logs	N/A	N/A
Ceramic glass (thermal breakage only)	5 years	N/A
Paint, gasket, blower, Blower thermoswitch and rheostat	1 year	N/A
Gold plating (tarnishing)	5 years	N/A

Shall your unit or a components be defective, contact immediately your **Drolet** dealer. Prior to your call make sure you have the following information necessary to your warranty claim treatment:

- Your name, address and telephone number;
- Bill of sale, dealer's name;
- Serial number and model name as indicated on the nameplate fixed to the back of your unit;
- Nature of the defect and any relevant information.

Before shipping your unit or defective component to our plant, you must obtain from your Drolet dealer an Authorization Number. Any merchandise shipped to our plant without authorization will automatically be refused and returned to sender.